

HV-10A サービスパーツリスト

HV-10A 総組立(1)

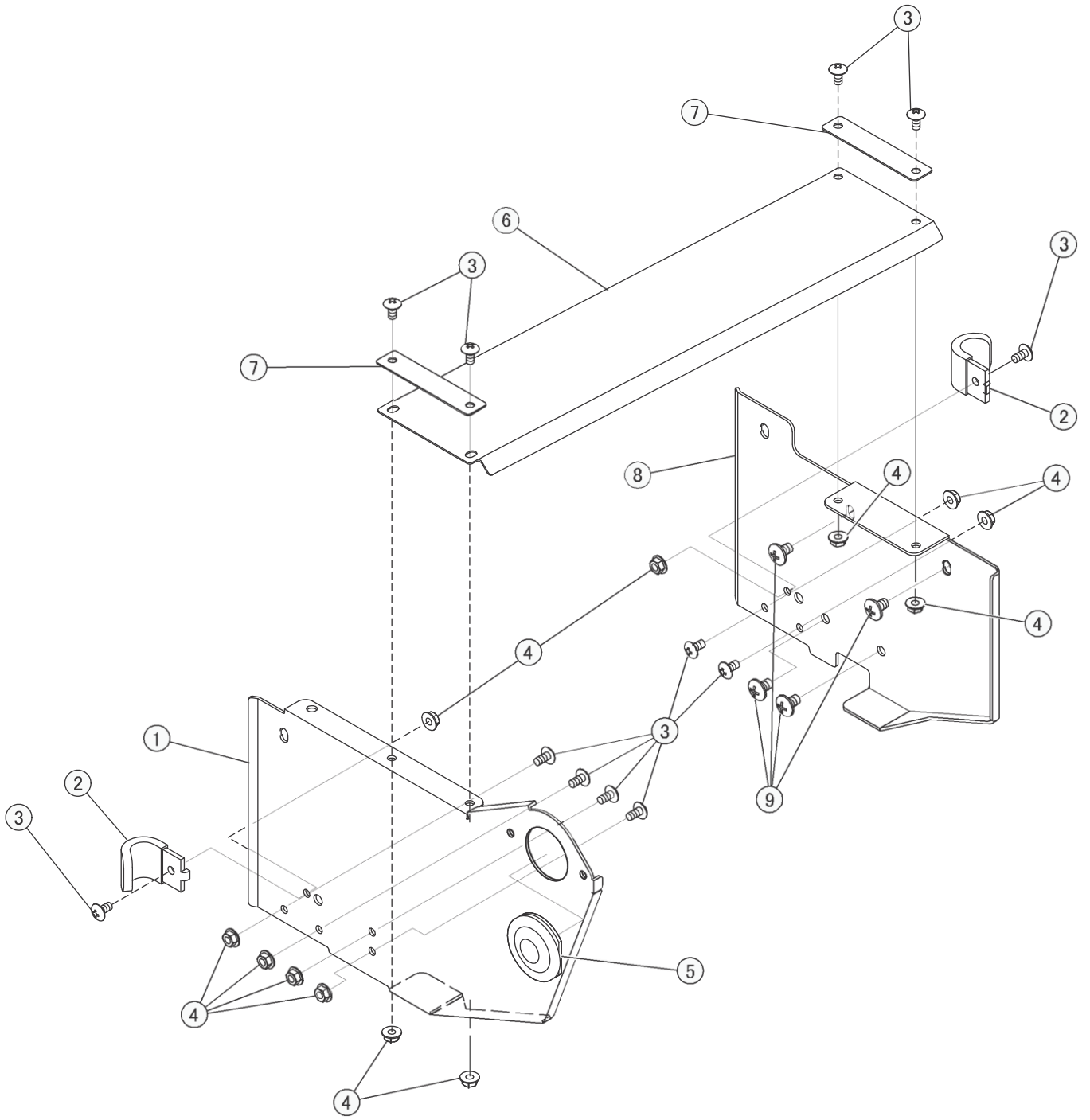


HV-10A 総組立(2)



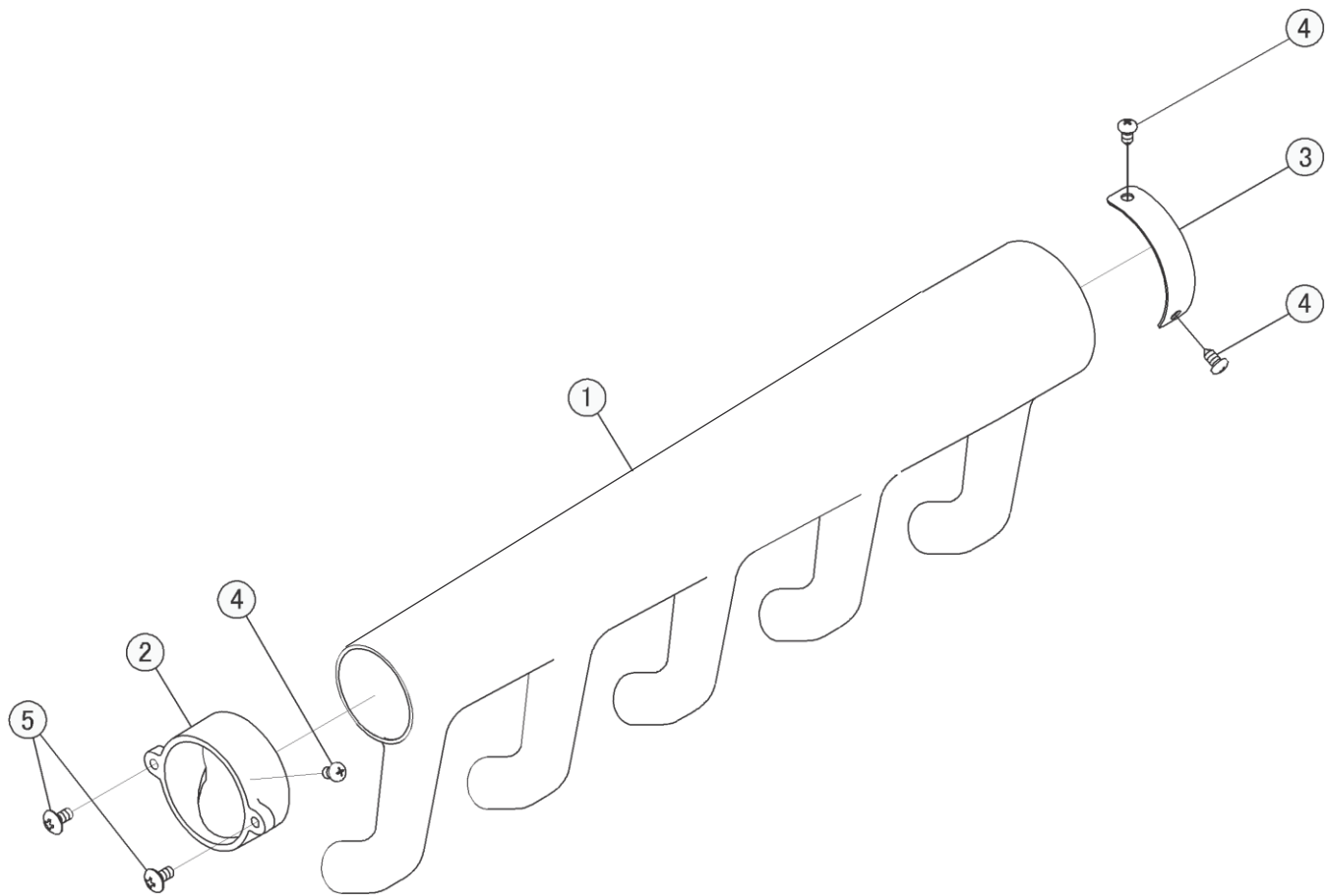
総組立

#	Item	Name	Quantity	Description	Price	Price
1		Frame section assembly				
2		Duct section assembly				
3		Engine assembly				
4		Handle				
5		Blade section assembly				
6		Protective shield				
7		Accessory				



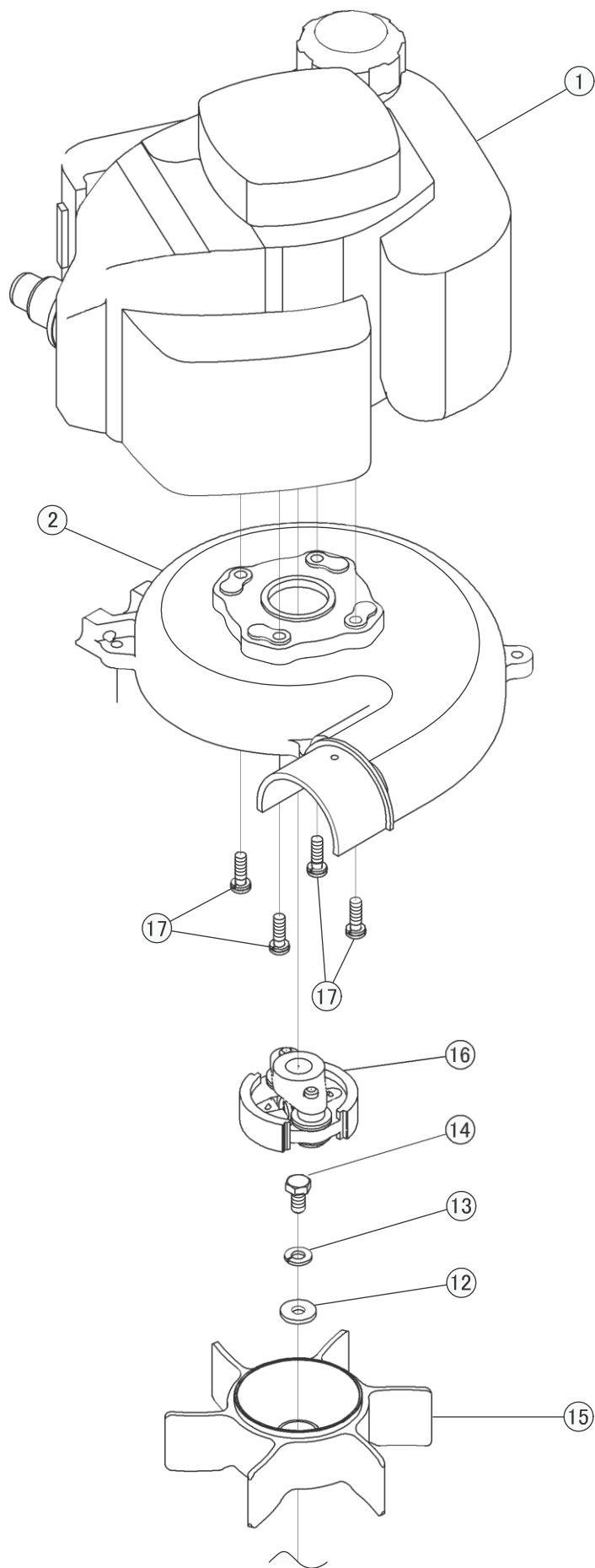
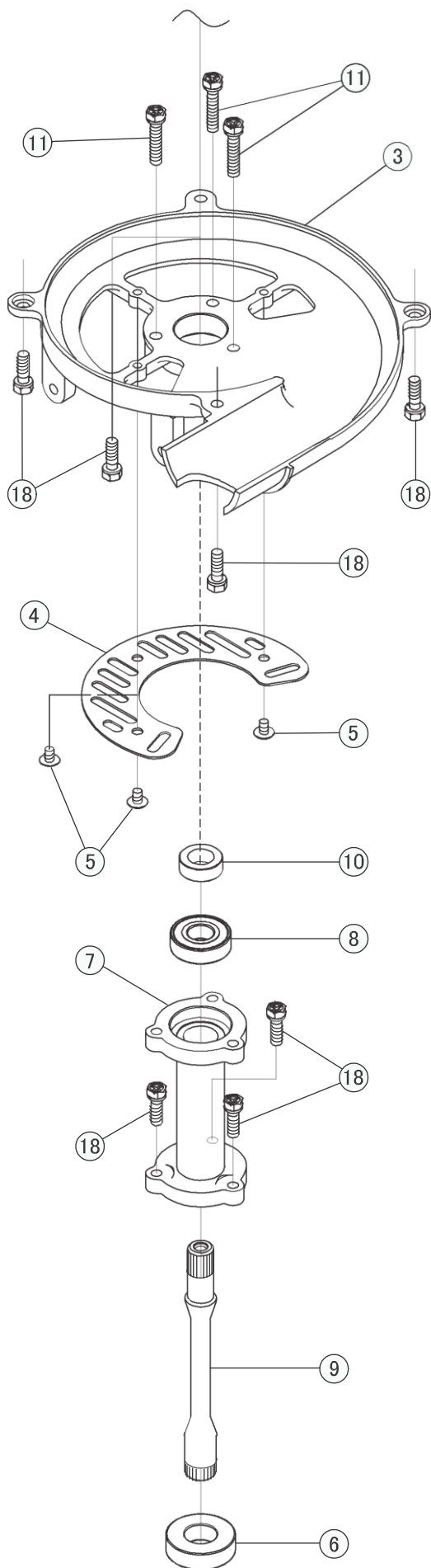
枠部組立

#	Item	Name	Quantity	Description	Price
1	HV1-A002000	Side framework	1		
2	008-341	Bag attachment	2		
3	K012-040080	Machine screw M4 × 8	12		
4	K171-040000	Plate type washer nut M4	12		
5	008-256	Rubber plug	1		
6	HV6-A002000	Clear plastic protector	1	340 size	
	HV6-A004000	Clear plastic protector	1	410 size	
7	HV6-A003000	Plastic protector plate tension	2		
8	HV1-A001000	Side framework right	1		
9	K012-050080	Machine screw M5 × 8	4		



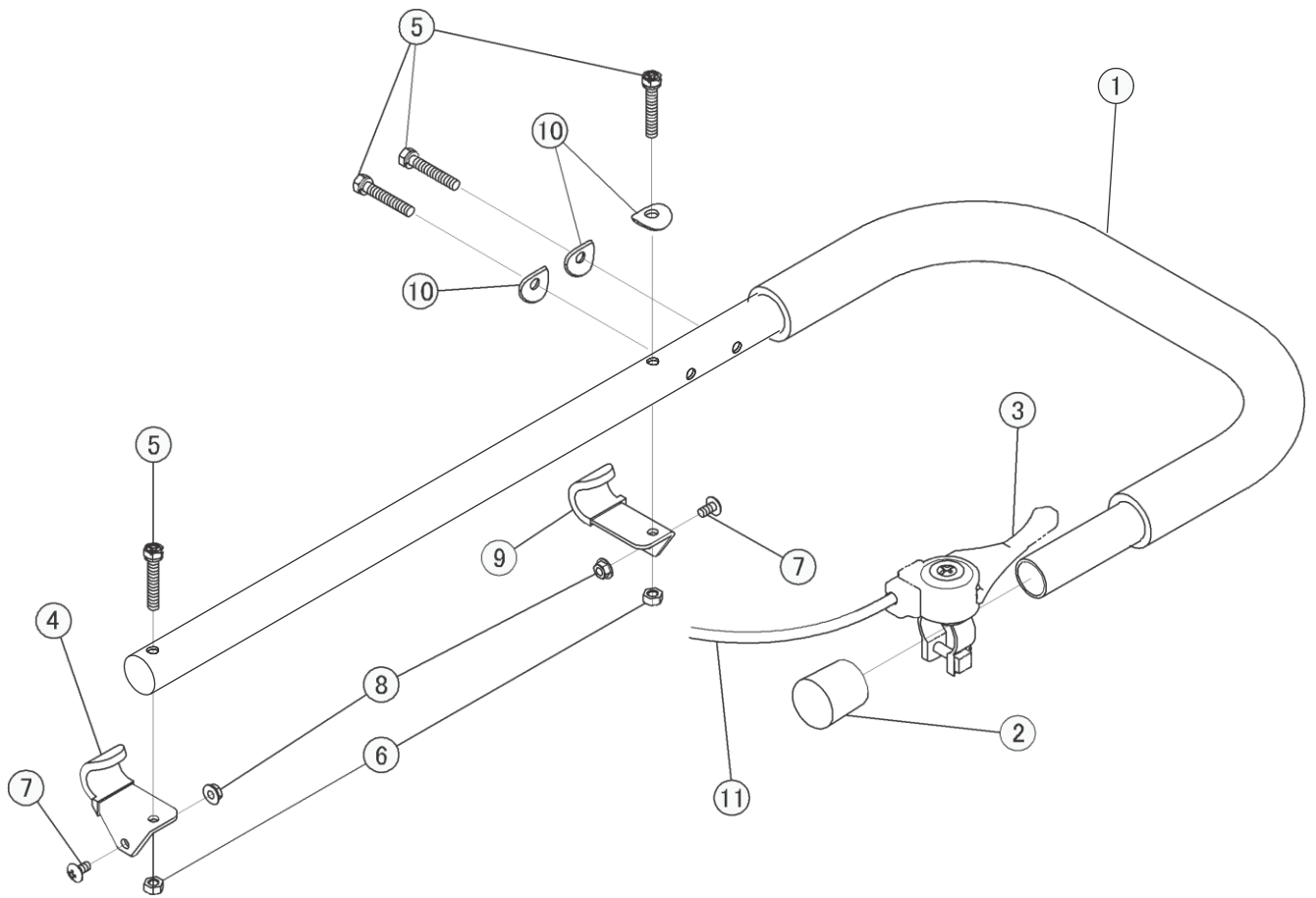
ダクト部組立

#	Item	Name	Quantity	Description	Price
1	HV3-A002000	Duct	1	340mm size	
	HV3-A011000	Duct	1	410mm size	
2	HV3-A001000	Duct flange	1		
3	HV3-A003000	Duct band	1		
4	K112-400800	Pan self-tapping 1 4.0×8	3		
5	K012-040080	Machine screw M4×8	2		



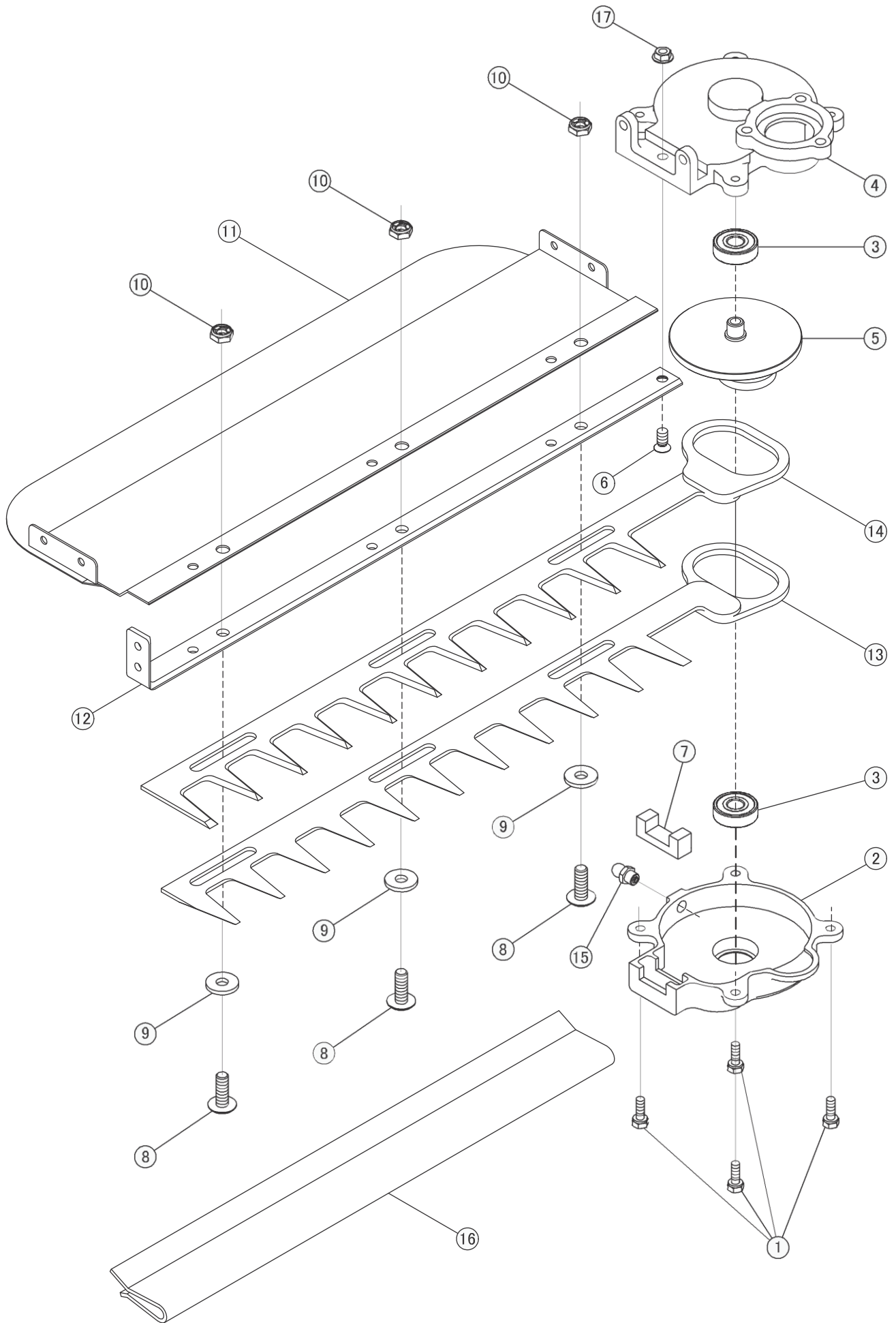
エンジン部組立

#	Item	Name	Quantity	Description	Price
1	R001-004900	Engine	1	340mm size EC021GR0209	
	R001-004800	Engine	1	410mm size EC025G*9513	
2	HV4-A009000	Fan case 1	1		
3	HV4-A007000	Fan case 2	1		
4	HV6-A001000	Screen for fan intake	1		
5	K012-040060	Machine screw M4 × 6	3		
6	K354-060020	Deep groove ball bearing 6002	1		
7	HV2-A013000	Bearing case	1		
8	K353-060010	Deep groove ball bearing ZZ 6001	1		
9	HV2-A002000	Shaft	1		
10	HV4-A004000	Spacer	1		
11	K054-050250	Upset P2 M5 × 25	3		
12	K207-060203	Plane washer 6.0 × 2.0	1	6 × 16 × 2.0	
13	K210-060000	Lock washer 2 6	1		
14	L040-060123	Hexagon head bolt M6 × 12	1		
15	A254-106003	Drum fan	1		
16		Clutch assembly	1	Engine part	
17	K016-050160	Pan P2 M5 × 16	4		
18	K054-050160	Upset トP2 M5 × 16	7		



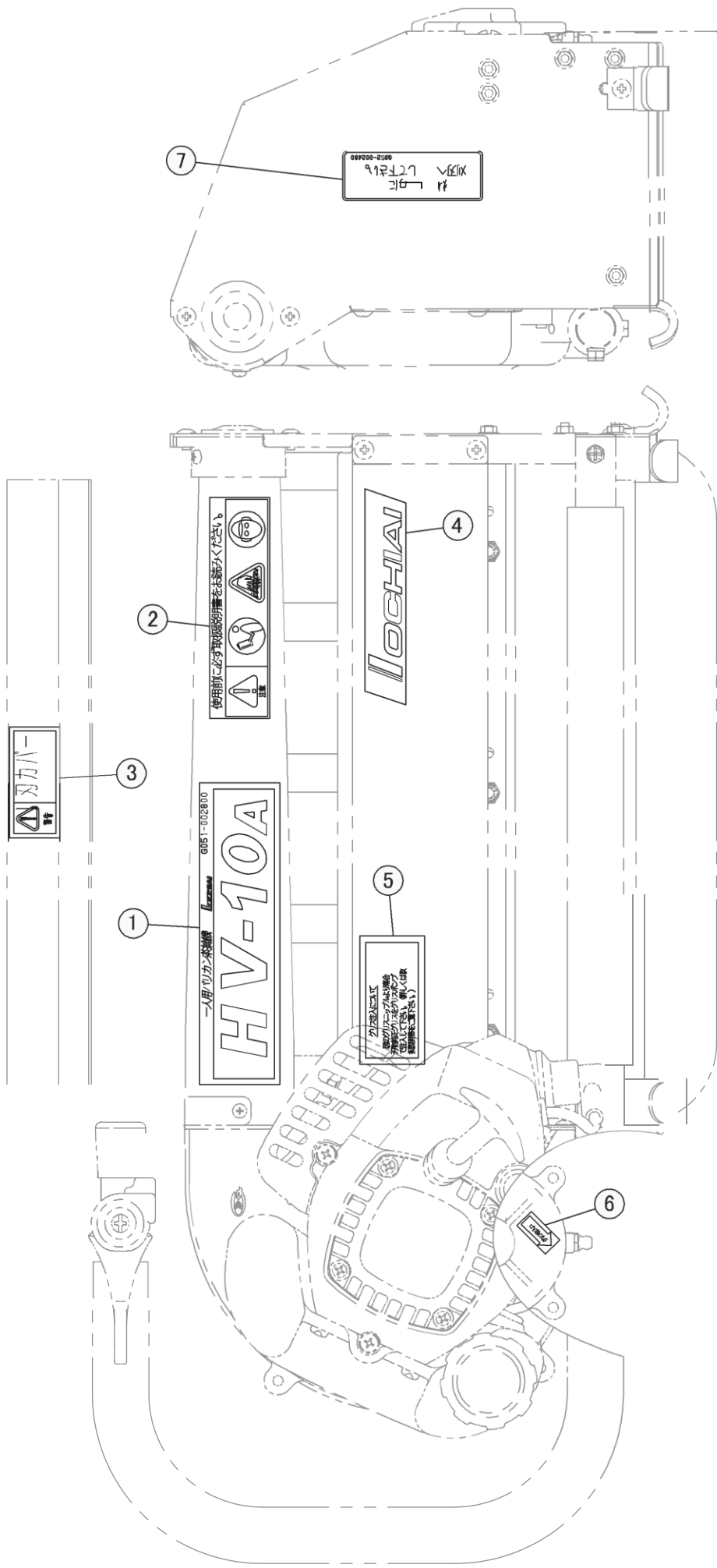
ハンドル部組立

#	Item	Name	Quantity	Description	Price
1	HV5-A001000	Handle	1	340mm size	
	HV5-A011000	Handle	1	410mm size	
2	008-320	Cap	1		
3		Throttle control lever	1	Engine part	
4	A025-005004	Bag hook	1		
5	K054-050300	Upset P2 M5 × 30	4		
6	K150-050000	Hexagon nut 1 M5	2		
7	K012-040080	Machine screw M4 × 8	2		
8	K171-040000	Washer nut M4	2		
9	G025-000060	Bag hook	1		
10	A118-150004	Aluminium washer	3		
11		Throttle control cable	1	Engine part	



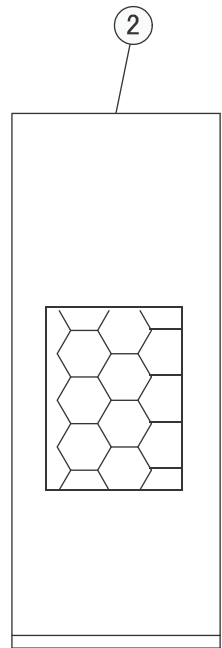
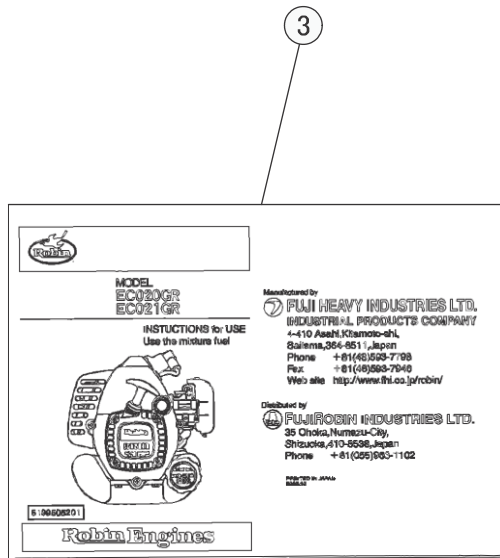
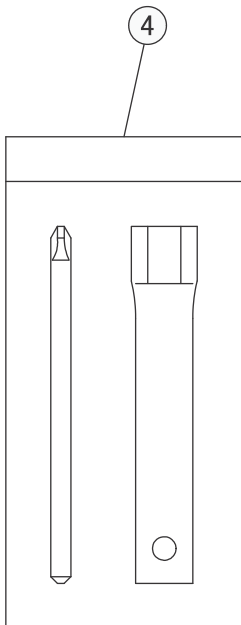
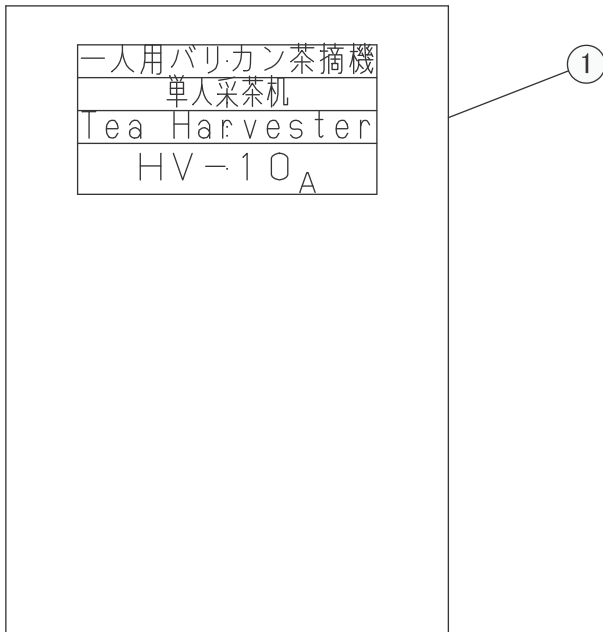
刈刃部組立

#	Item	Name	Quantity	Description	Price
1	K055-050120	Upset P2 M5 × 12	4		
2	HV7-A013000	Crankcase 2	1		
3	K354-006080	Deep groove ball bearing UU 608	2		
4	HV7-A012000	Crankcase 1	1		
5	HV7-A001000	Crank gear	1		
6	K031-05020S	Sash machine screw M5 × 20	1		
7	HV7-A002000	Felt	1		
8	VCE-120	Blade slide bis	3	340mm size	
	VCE-120	Blade slide bis	4	410mm size	
9	008-250	Blade slide washer	3	340mm size	
	008-250	Blade slide washer	4	410mm size	
10	K166-060000	U nut thin M6	3	340mm size	
	K166-060000	U nut thin M6	4	410mm size	
11	A115-108009	Bottom plate	1	340mm size	
	HV1-A008000	Bottom plate	1	410mm size	
12	A115-105002	Tension plate	1	340mm size	
	HV7-A014000	Tension plate	1	410mm size	
13	A115-104009	Lower blade	1	340mm size	
	HV7-A016000	Lower blade	1	410mm size	
14	A115-103009	Upper blade	1	340mm size	
	HV7-A015000	Upper blade	1	410mm size	
15	R055-000100	Grease nipple	1		
16	A028-114009	Blade cover L=300	1	340mm size	
	G028-103603	Blade cover 360 blue	1	410mm size	
17	K162-050000	Collar nut S M5	1		



シール部組立

#	Item	Name	Quantity	Description	Price
1	G051-002800	Name label HV-10A	1		
2	A052-152004	Safety pictures	1		
3	A052-154004	Blade cover safety label	1		
4	A051-138004	OCHIAI label	1		
5	111-003	Grease fill label	1		
6	A052-170004	Grease filler inlet arrow	1		
7	G052-002480	Lubrication label V8S	1		



付属品

#	Item	Name	Quantity	Description	Price
1	R180-HV1200	Instruction manual	1		
2	008-312	Bag	1	340mm size	
	A259-130004	Bag	1	410mm size	
3		Instruction manual	1	Engine part	
4		Tool	1	Engine part	